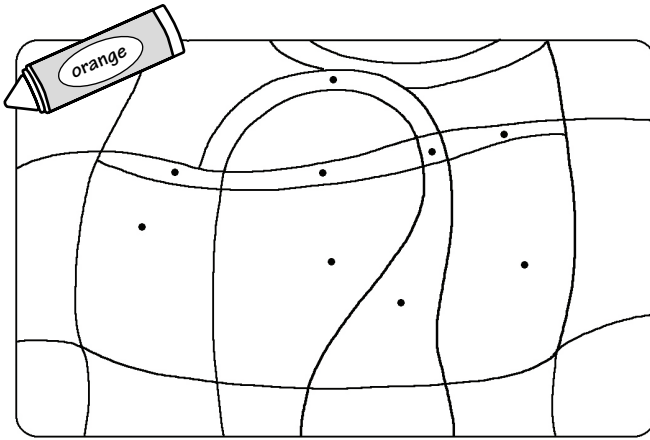
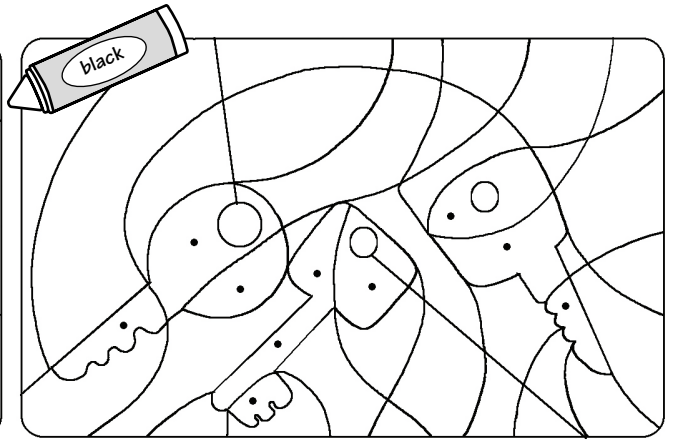


1 Find, colour and write.

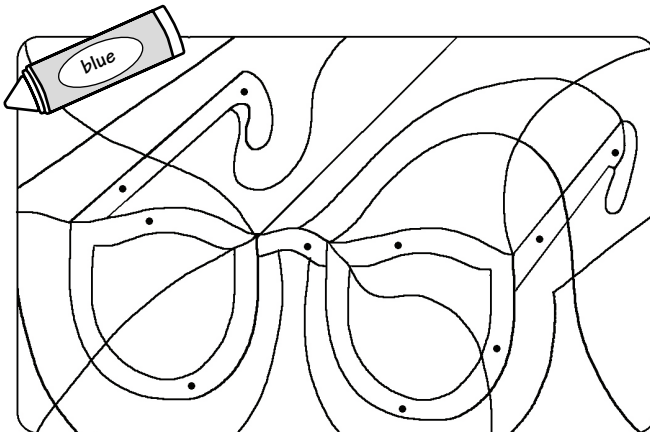
glasses handbag phone keys backpack computer



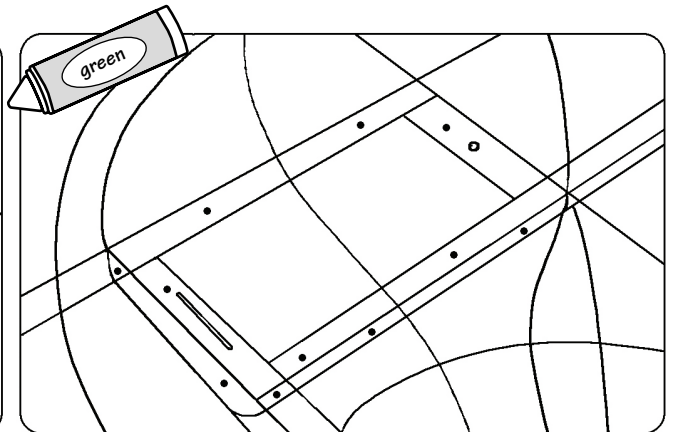
1 It's a handbag.
It's orange.



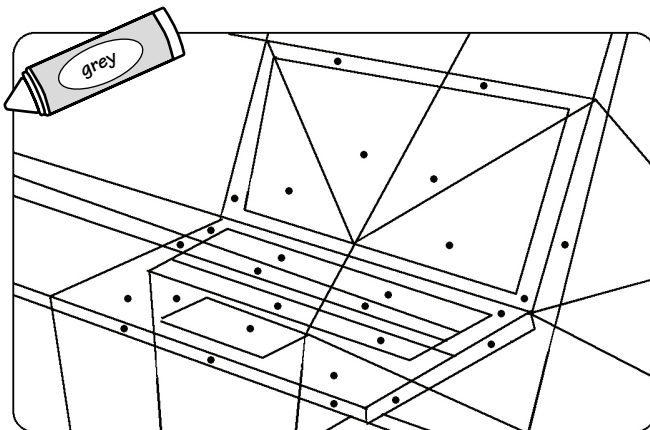
2 They're _____.
They're _____.



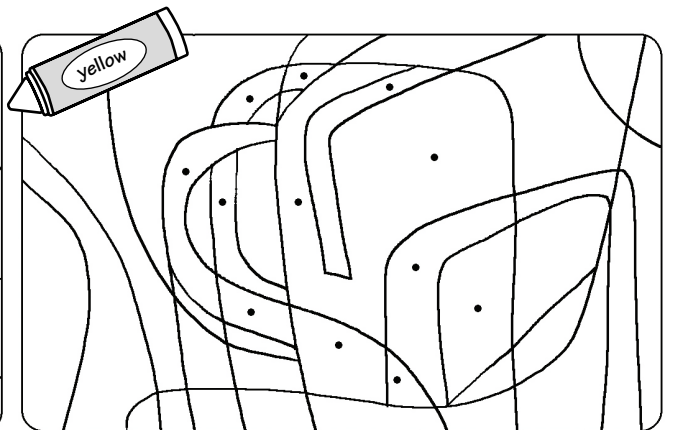
3 They're _____.
They're _____.



4 It's a _____.
It's _____.



5 It's a _____.
It's _____.



6 It's a _____.
It's _____.